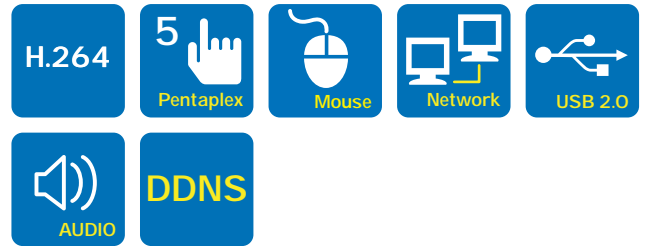


Hardware Codec

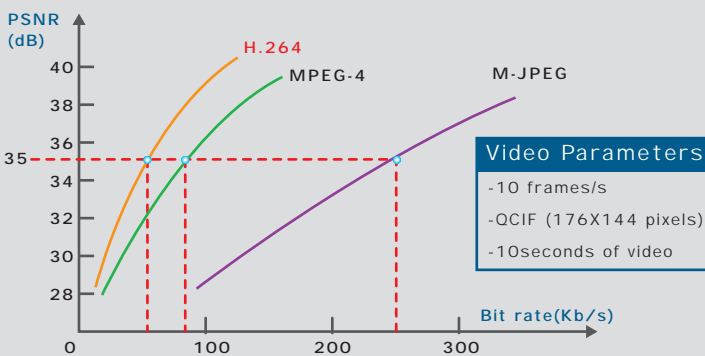


4 FEATURES

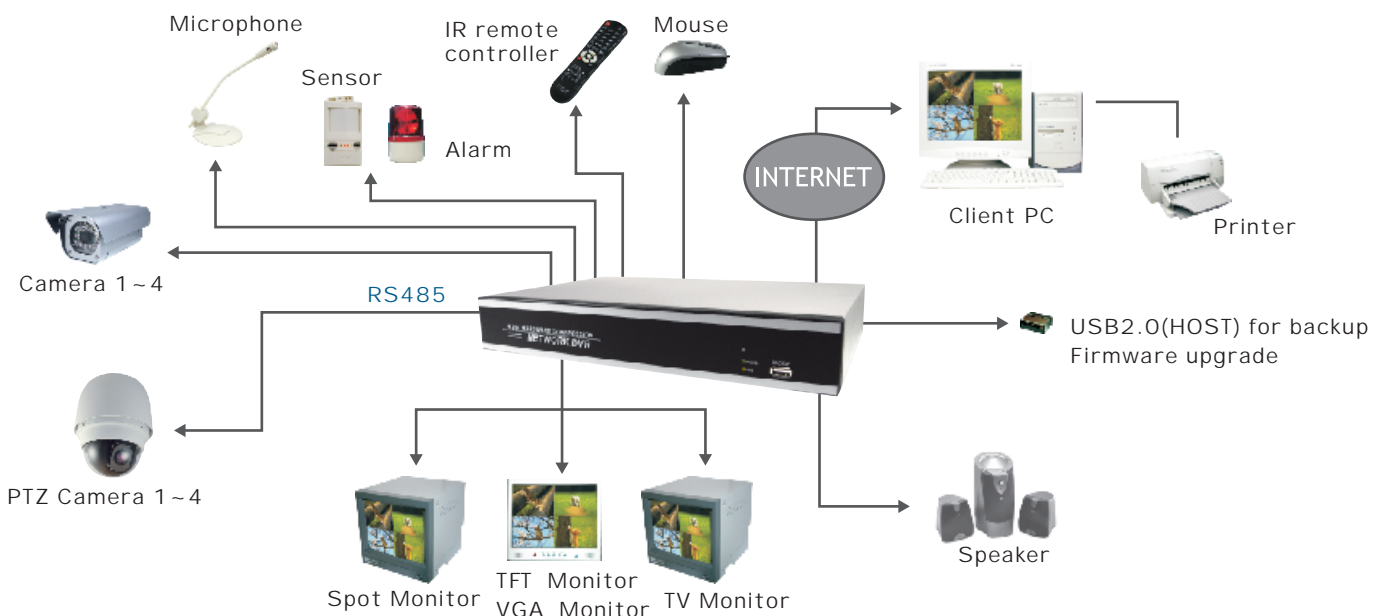
- 4 H.264 Algorithm hardware compression
- 4 4 channel DVR 120(100)fps recording capability
- 4 Supports audio available
- 4 Pentaplex operation (Playback / Recording / Backup / Ethernet / Live)
- 4 Multi Language OSD
- 4 IR Remote Controller
- 4 VGA output (for LCD Monitor)
- 4 USB(Device) port for firmware upgrade
- 4 USB2.0(Host) for back up
- 4 Operate by mouse
- 4 Easy PTZ camera control
- 4 Remote viewer via network
- 4 Supports DDNS (Dynamic Domain Name Server)

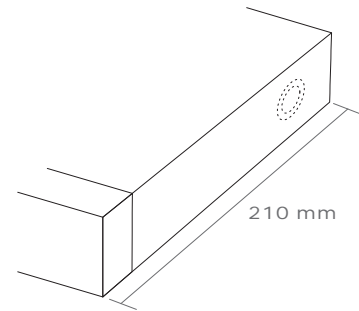
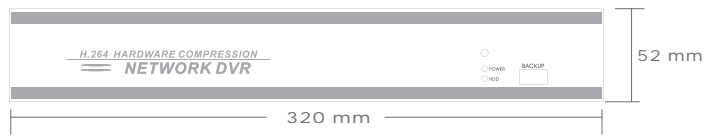
H.264 / MPEG-4 / M-JPEG Comparison

H.264 requires approximately just one-fifth of the bandwidth used by JPEG while MPEG-4 requires one-third.



4 SYSTEM CONFIGURATION





4 SPECIFICATIONS

Model Number		H4120-E
Compression		H.264 Hardware compression
Storage Capacity		1 SATA HDD
VGA(Option)		1CH (Supporting TFT LCD Monitor)
Video Input		4CH
Video Output		Monitor / Spot Monitor
Audio		Input: 1CH, Output:1CH
Split Screen		Full screen, Quad display
Compressed Rate		5 Step selectable
Recording Speed	NTSC	120fps
	PAL	100fps
Recording Resolution		360x240(360x288)
Display		Real time for all channel
Multi-plex		Pentaplex operation (Playback / Recording / Backup / Ethernet / Live)
Zoom		Available
PIP		Available
Motion Detect		Detection division : 30x24
Recording Mode		Time, Motion, Schedule, Alarm
Search Mode		Percentage Search, Date/ Time Search, Event Search
Alarm Input		4 Alarm (NO/NC)
Relay Output		1 (NO/NC)
Backup		USB2.0(HOST), Backup via IP Network
IR Remote Controller		Built-in
Network (TCP/IP)		Remote Software (Remote live view, playback, and save as AVI), IE (Remote live view, backup, and save backup to AVI), Multi-User Connection
Firmware upgrade		USB for firmware upgrade
Operation Temperature		41°F ~ 104°F (5°C ~ 40°C)
Operation Humidity		Less than 90%
Dimension(mm)		320(W) x 210(D) x 52(H)
Weight(N.W)		Approx 1.8 kgs (W/O HDD)
Power Supply		DC Adapter(12V DC 5A above)